




SECTION 1.5_KSPR/PS


PRESSURE RELIEF VALVE VENT TO ATMOSPHERE

INTRODUCTION

 **The model KSPR and KSPS** pressure valves are an advanced design for vent to atmosphere applications. Designed, manufactured and tested according to the API 2000 code. Utilize the latest technologies to provide protection against positive or vacuum over pressure and prevent air intake, evaporative losses of product and help to contain odorous and potentially explosive vapours.

Setting Pressure

KSPR Weight Loaded model	Min. 20 mmW.C ~ Max. 700 mmW.C
KSPS Spring Loaded model	Min. 700 mmW.C ~ Max. 9,000 mmW.C

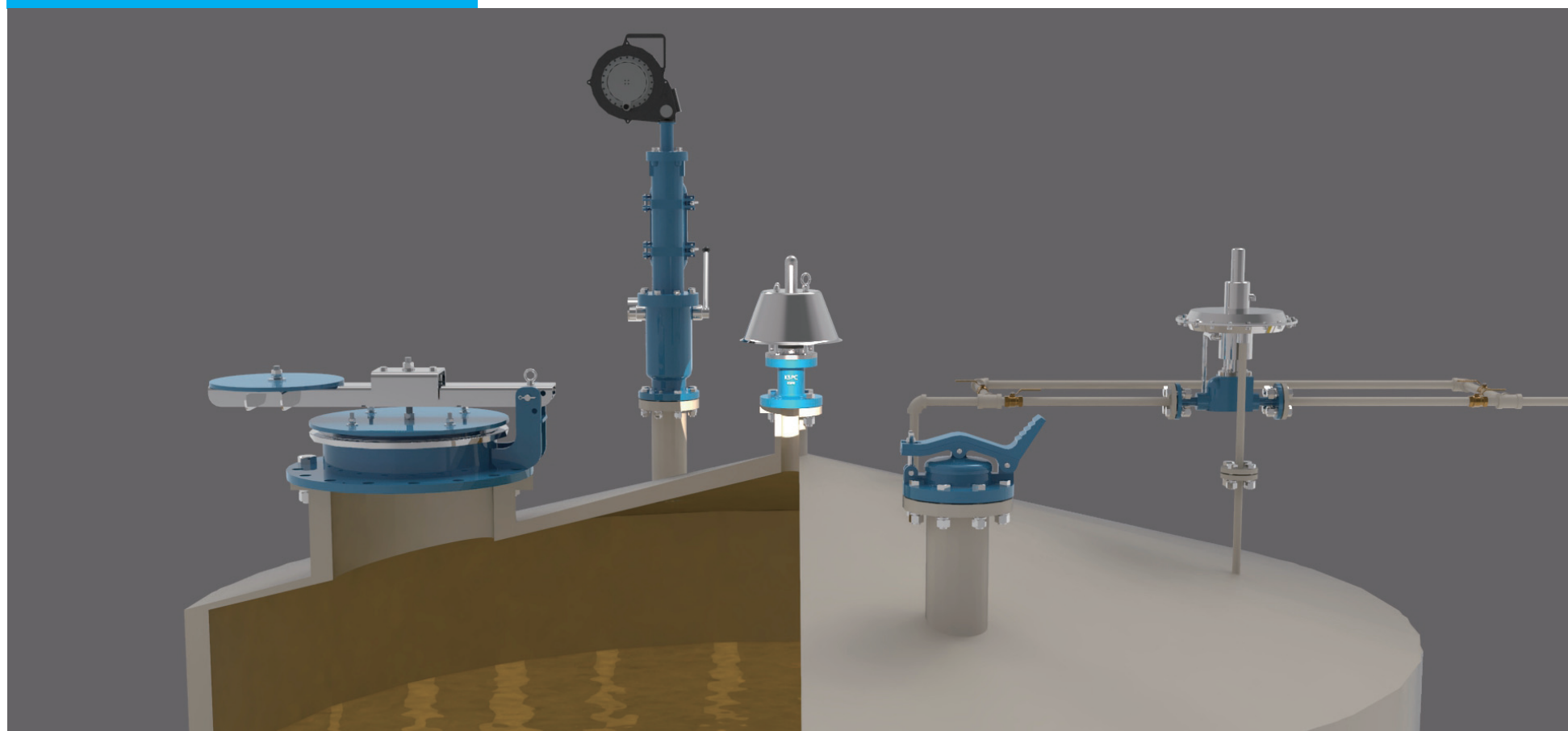
 **Body Materials** Aluminium, Carbon Steel, SS304 and SS316 with various trims
(Different materials available on request)

 **Sizes range** DN 50 ~ DN 350 with ASME 150Lb flanges as standard
(Different connections available on request)

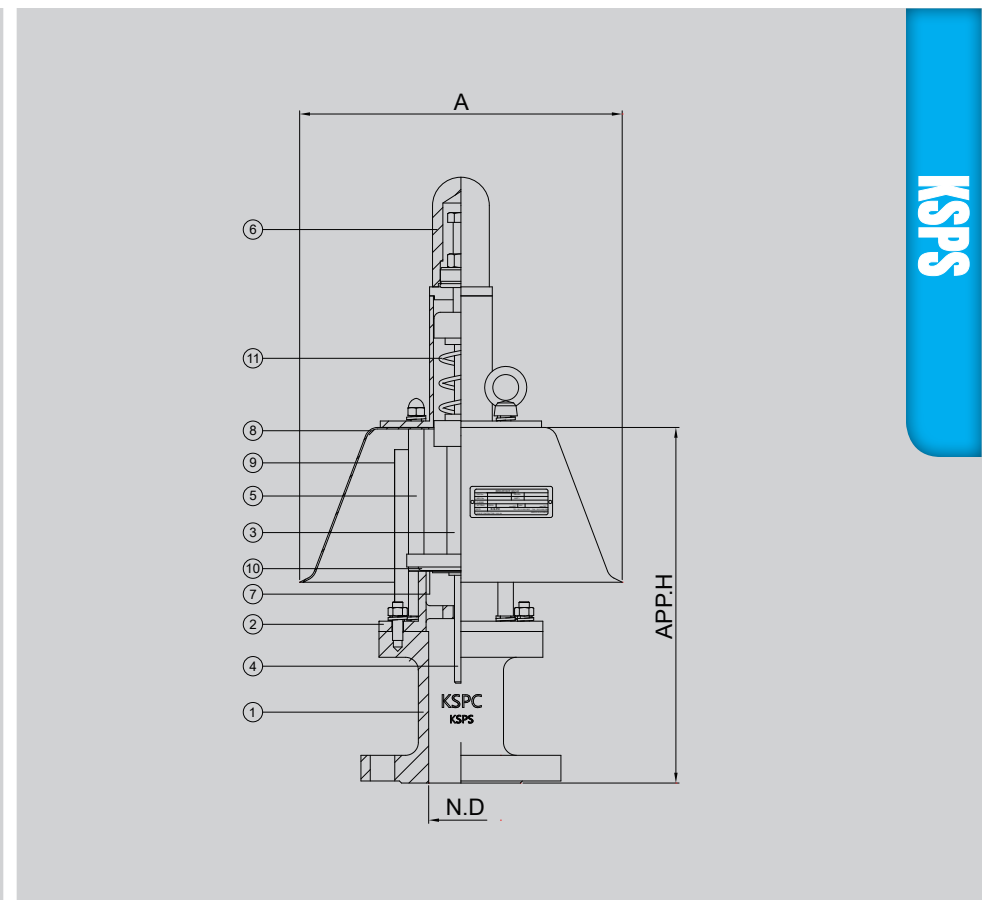
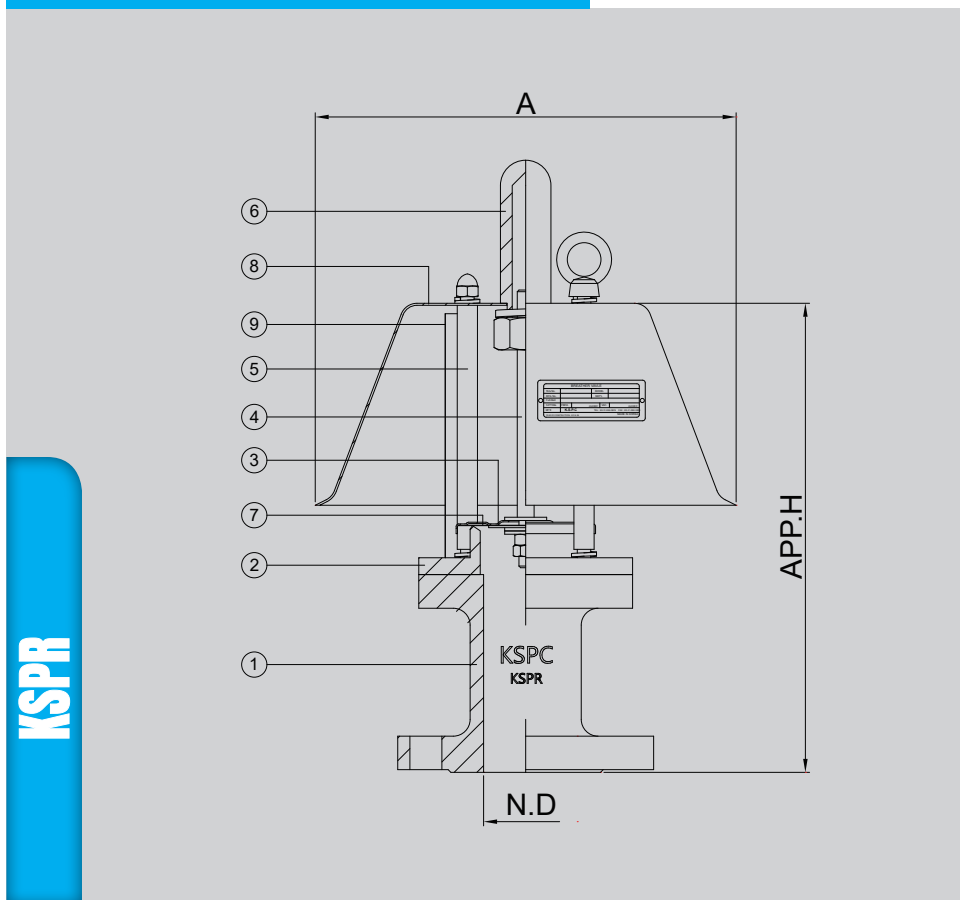
 **Rules & Certifications** API 2000 & ATEX / KFI

 **Optimum / Optional Design & Arrangements** Stem Jacket type, Steam Tracing type, Proximity type, Teflon Coating/Lining type

APPLICATION



OUTLINE DRAWING



KSPS

Section 1.5
KSPR/PS

DIMENSION TABLE

SIZE	2"	3"	4"	6"	8"	10"	12"	14"
N.D	50	80	100	150	200	250	300	350
A	250	294	324	440	476	544	620	685
Approx. H	270	301	344	382	401	436	456	473

NOTE Standard Connection(ASME 150Lb flange) and JIS or different types are available upon request.

COMPONENT MATERIAL

ITEM NO	COMPONENT	BODY	ALUMINIUM	CARBON STEEL	SS304	SS316
		TRIM	SS304	SS304	SS304	SS316L
1	BODY		B26-319.F	A216-WCB	A351-CF8	A351-CF8M
2	SEAT		B26-319.F	A351-CF8	A351-CF8	A351-CF8M
3	DISC		SS304	SS304	SS304	SS316L
4	STEM		SS304	SS304	SS304	SS316
5	GUIDE POST		SS304	SS304	SS304	SS316
6	STEM GUIDE / CAP		SS304	SS304	SS304	SS316
7	DIAPHRAGM		TEFLON			
8	WEATHER HOOD		SS304	SS304	SS304	SS316L
9	BIRD SCREEN		SS304	SS304	SS304	SS316
10	O-RING		VITON			
11	SPRING		SS304	SS304	SS304	SS316