




SECTION 5.3_KSSD

SLOT DIPPING DEVICES

INTRODUCTION

 **The model KSSD** is designed for gauging the height of liquid levels, measuring the depth of water bottoms, taking temperature, and taking sample of liquids held in storage tank, without relieving pressure within the tank. It avoids the loss of valuable vapors, and exposing the gauger to excessive fumes. Quick opening valve unit is opened and closed simply by moving a lever through a 90° arc.

A by-pass is provided to equalize in the tank and sampling chamber unit, if this should be necessary for easy opening. The window in the top cover of the gauging unit can be provided with an inside wiper, to insure clear vision of the gauge taper, and to permit the taking of accurate reading.

Installation

- 1 Mount the KSSD Series Sampling Device on 4" or 12" flange roof nozzle.
- 2 Attach the gauging bob or sampling bottle to the swivel snap inside the sampling chamber unit.
- 3 Check the distance from the bottom of the bob to a point above the snap on the tape to make certain a correct reading is obtained.

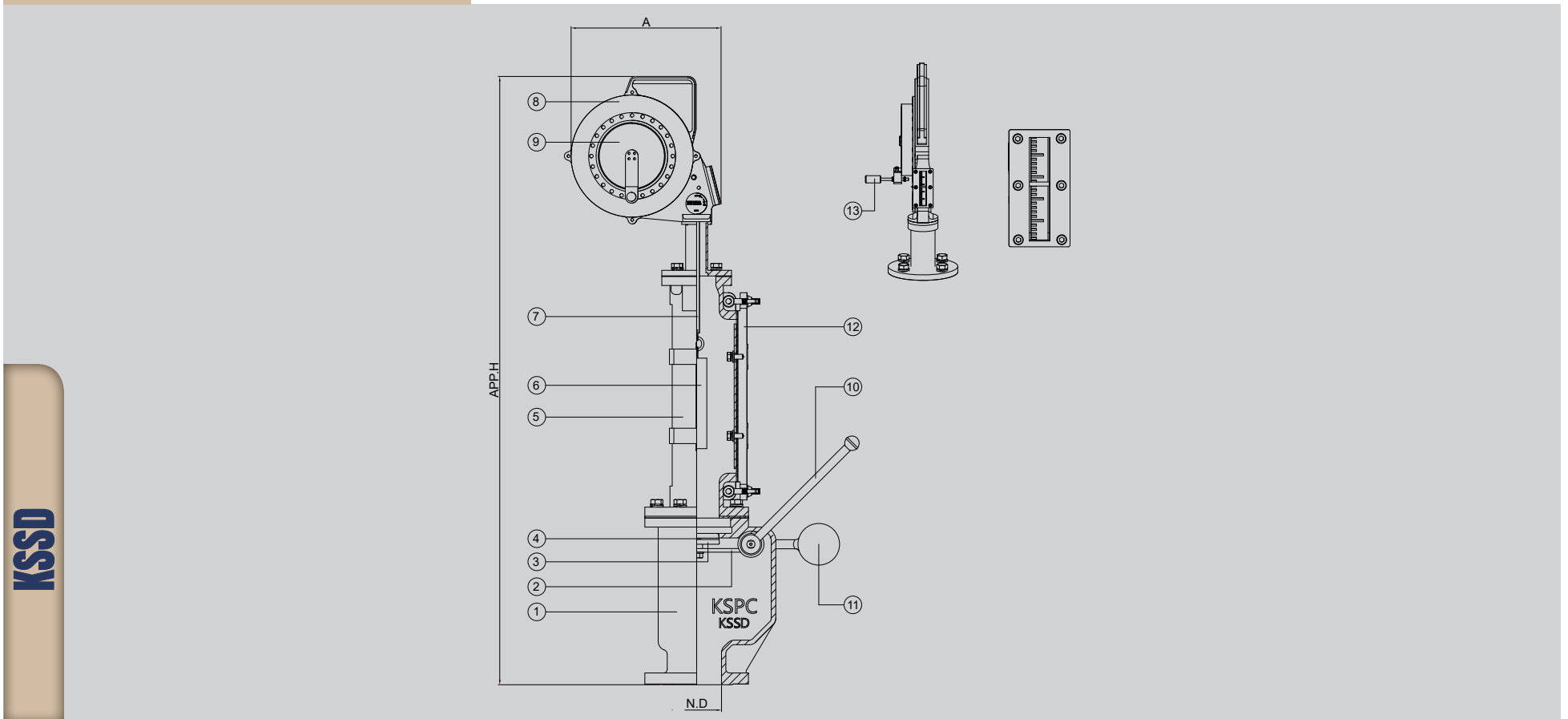
Operation

- 1 Mount the Gauging the depth of the product.
- 2 Taking a sample at any level.
- 3 Measuring the product temperature simply with Accessories.

APPLICATION



OUTLINE DRAWING



DIMENSION TABLE

SIZE	4"	6"	8"	10"	12"
N.D	100	150	200	250	300
A	346	346	346	346	346
Approx. H	1024	1026	1029	1131	1134

NOTE Standard Connection(ASME 150Lb flange) and JIS or different types are available upon request.

COMPONENT MATERIAL

ITEM NO	COMPONENT	BODY	ALUMINIUM	CARBON STEEL	SS304	SS316
		TRIM	SS304	SS304	SS304	SS316/SS316L
1	BODY-1 (LOWER)		B26-319.F	A216-WCB	A351-CF8	A351-CF8M
2	PALLET ARM		SS304	SS304	SS304	SS316
3	PALLET		A5052	A5052	A5052	A5052
4	O-RING		VITON			
5	BODY-2 (UPPER)		B26-319.F	A216-WCB	A351-CF8	A351-CF8M
6	SAMPLING BOTTLE		SS304	SS304	SS304	SS316
7	SCALE		S45C + PTFE COAT			
8	SCALE ROLLER BODY		B26-356-T6			
9	SCALE ROLLER		B26-356-T6			
10	PALLET OPERATING HANDLE		SS304			
11	COUNTER WEIGHT		A216-WCB	A216-WCB	A351-CF8	A351-CF8M
12	SAMPLING DOOR		B26-319.F	A216-WCB	A351-CF8	A351-CF8M
13	HANDLE ASSEMBLY		SS304	SS304	SS304	SS304