




SECTION 5.2_KSGE

GAUGE HATCH COVER PRESSURE RELIEF

INTRODUCTION

 **The model KSGE**, the sampling and gauging hatch Cover, is designed, manufactured and tested according to the KSPC standard code. **KSGE** is made to take the fluid samples from the storage tank, to measure the temperature, and to take test of the stored fluids.

Operating Pressure

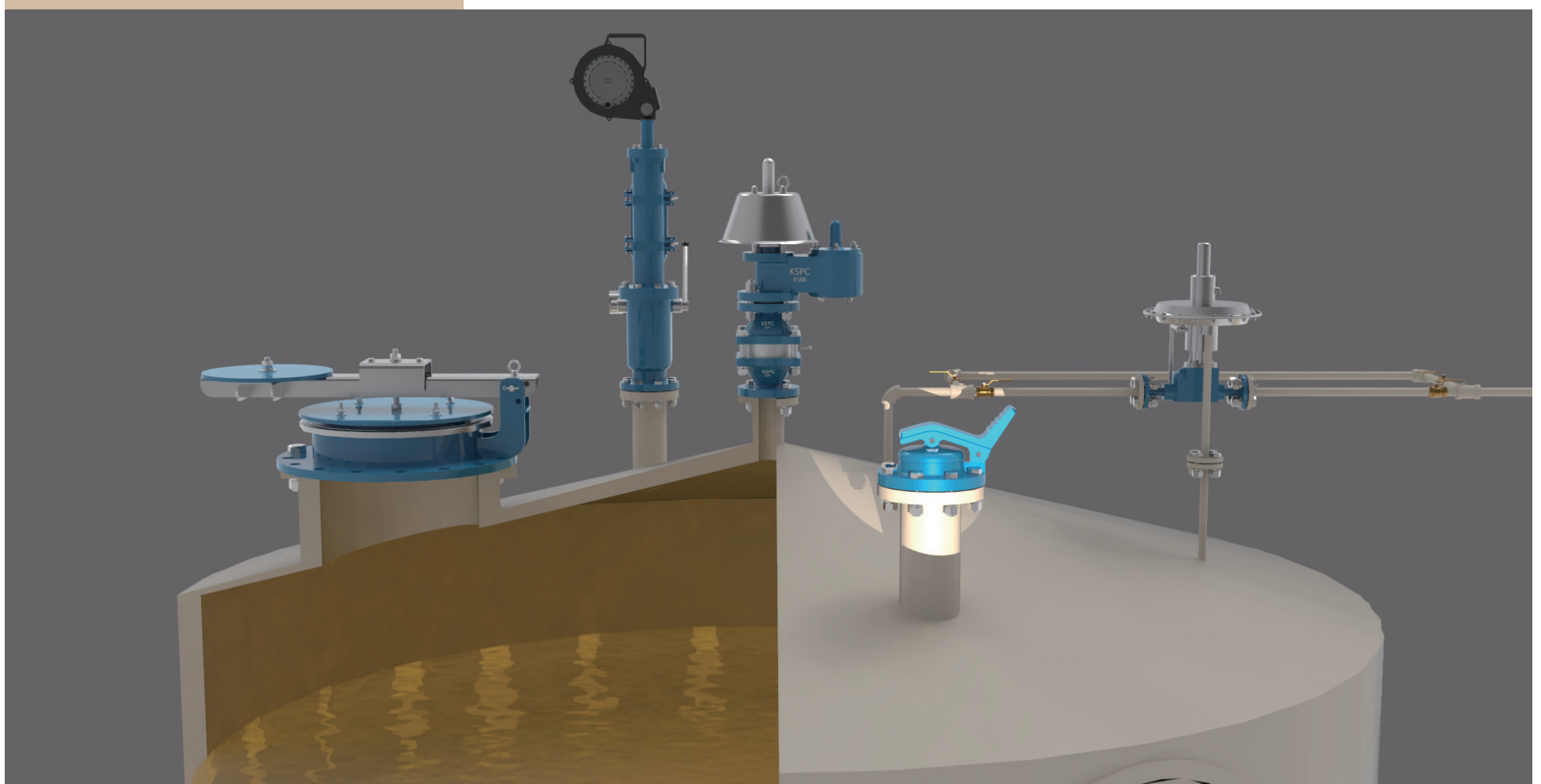
KSGE model	0.01 kg/cm ² as Standard
------------	-------------------------------------

 **Body Materials** Aluminium, Carbon Steel, SS304 and SS316 with various trims

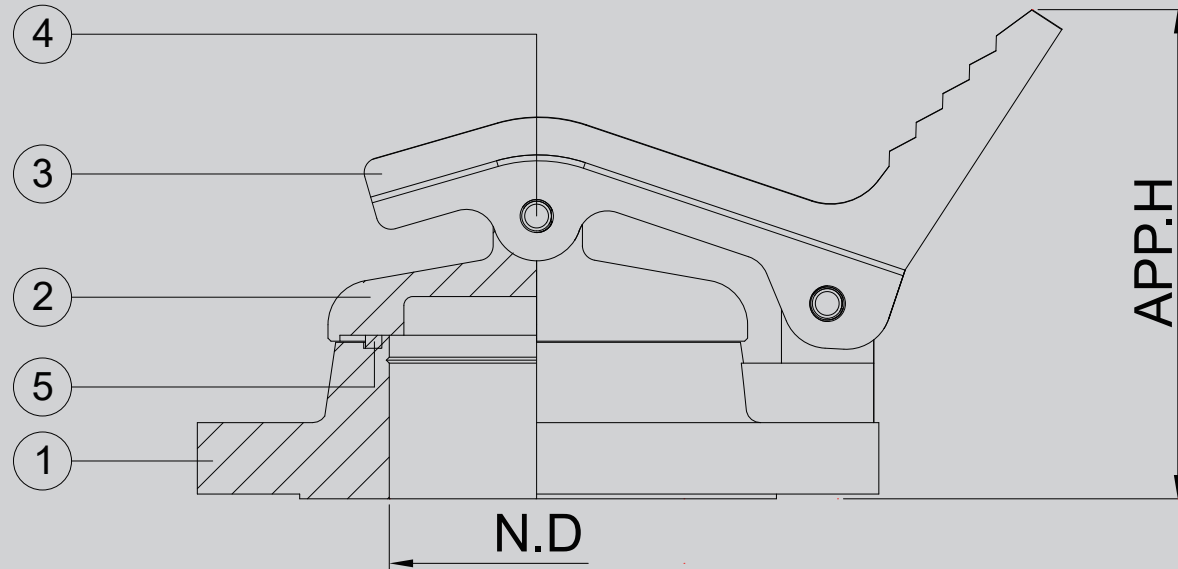
 **Sizes range** DN 80 ~ DN 300 with ASME 150Lb flanges (Other connection all available)

 **Rules & Certifications** designed, manufactured and tested according to the KSPC standard code.

APPLICATION



OUTLINE DRAWING



DIMENSION TABLE

SIZE	3"	4"	6"	8"	10"	12"
N.D	80	100	150	200	250	300
O.D	191	229	279	343	406	483
Approx. H	150	160	187	206	229	252

NOTE Standard Connection(ASME 150Lb flange) and JIS or different types are available upon request.

COMPONENT MATERIAL

ITEM NO	COMPONENT	BODY	ALUMINIUM	CARBON STEEL	SS304	SS316
		TRIM	SS304	SS304	SS304	SS316
1	BODY		B26-319.F	A216-WCB	A351-CF8	A351-CF8M
2	COVER		B26-319.F	A216-WCB	A351-CF8	A351-CF8M
3	PADDLE		B26-319.F	A216-WCB	A351-CF8	A351-CF8M
4	PIN		SS304	SS304	SS304	SS316
5	SEAL GASKET		TEFLON			